



EXTREME AIR DOWNDRAFT TABLE XA34MAX

Specifications and Technical Data

TYPICAL APPLICATIONS

- Grinding Dust
- Sanding / Polishing Dust
- Welding Smoke & Fumes
- Mixing and / or Filling Operations
- Deburring
- Soldering



STANDARD FEATURES:

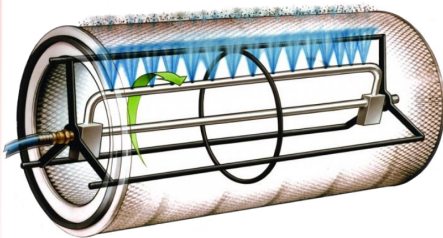
- 250 FPM Velocities—3,720 CFM
- Baffle Spark Arrestance
- Fire Retardant Cartridge Filter
- Roto-Pulse® Filter Cleaning System
- Ergonomic Front Overhang
- Hinged Filter Door with Easy Open Latches for Quick Filter Change-Out
- Factory Pre-Wired Electrics
- Easy Open, High Capacity Dust Tray
- Perforated Metal Work Surface
- 0-5" MiniHelic Filter Gauge

OPTIONS:

- Back and Side Shields w/Hinged Wing Walls
- Soft-Touch Mat on Perforated Metal Work Surface
- Industrial Casters / Levelling Legs
- Multiple Application Specific Media Options
- Dust Proof LED 24" Light Fixture
- Manual Pulse or Auto-Pulse Cartridge Cleaning System
- Silencer

HOW IT WORKS:

Roto-Pulse® Cartridge cleaning system provides for 30-40% better cleaning of the cartridges. Air is pulsed into a specially designed aluminum rotating tube equipped with pre-drilled holes.



As the air enters this tube, the force of the pulse causes the tube to rotate. As the tube spins, air exits the pre-drilled holes resulting in air hitting the entire inside length of the cartridge, pulsing dirt particles away from the filter for a much more efficient cleaning cycle and increased filter life.

ENGINEERED SAFETY

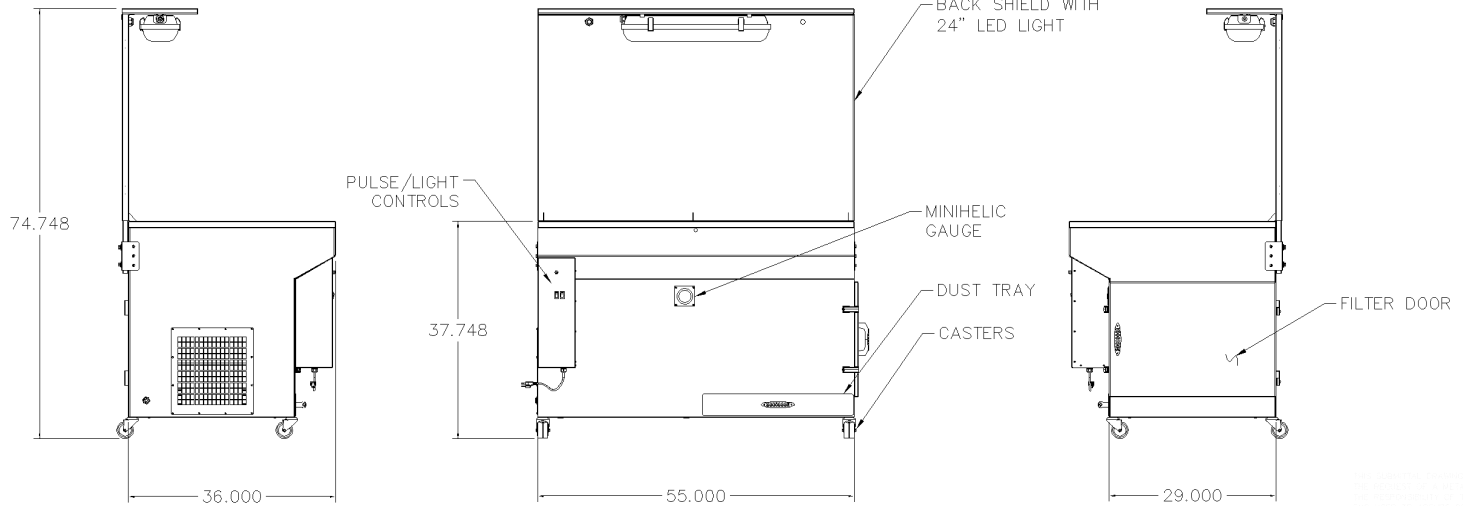
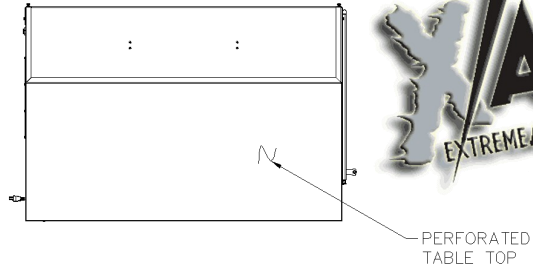
Built-In Baffle Spark Arrestance provides ultimate protection from sparks reaching the filter media, offers ease of maintenance, and provides for increased load capacity.



L2979-03/2018



XA34M Downdraft Table



XA34M SPECIFICATIONS:

OVERALL DIMENSIONS:

37" D X 58"W X 36" H—NO BACKSHIELD
37" D X 58" W X 73" H—WITH BACKSHIELD

TABLE TOP DIMENSIONS:

36" D X 55" W

WEIGHT:

850 LBS ACTUAL-VARIES DEPENDING ON
OPTIONS SELECTED

CABINET:

14 GA. WELDED GALVANEAL STEEL W/EXTERIOR
SURFACES GROUND SMOOTH

FINISH:

INDUSTRIAL GRADE TEXTURED BAKED
CRIMSON RED ENAMEL PAINT—INSIDE AND OUT

FILTRATION:

TWO EA. FIRE-RETARDANT CARTRIDGE,
200-348 SF MEDIA—DEPENDENT ON MEDIA
SELECTED—MERV 11—16 AVAILABLE

ROTO-PULSE® CLEANING SYSTEM:

REVOLUTIONARY CLEANING SYSTEM, THAT
CLEANS THE ENTIRE SURFACE OF CARTRIDGE,
FOR CLEANER FILTERS & EXTENDED FILTER
LIFE

FILTER ACCESS:

SIDE LOAD THROUGH HINGED DOOR FOR
EASE OF ACCESS

EXHAUST:

STRAIGHT THROUGH / UPBLAST WITH SILENCER
TRANSITION

MOTOR:

3 HP, 230 / 460V, 3 PHASE, TEFC

MAX CURRENT:

8.6 / 4.3 AMPS

BLOWER:

BELT DRIVEN, FORWARD INCLINED BLOWER

AIR FLOW:

250 FPM ACROSS TABLE-TOP— 3,720 CFM

FILTER CHANGE INDICATOR:

0-5" MINIHELIC GAUGE

ELECTRICAL:

230 /460V, 3 PHASE— INCLUDES
FACTORY WIRED ON/OFF SWITCH, LIGHT
SWITCH, & PULSE PUSH BUTTON

LOAD CAPACITY:

1,000 LBS

NOISE LEVEL:

79 dBA AT OPERATOR
74 dBA AT OPERATOR WITH SILENCER / HEPA

CONTROLS:

ON/OFF SWITCH WITH STARTER AND
OVERLOAD RELAY

L2979-03/2018